



## s.24 DZR press ends

15 - 54 mm, dezincification-resistant



Time is of essence and valve technology has progressed to save time and ease on-site installation.

**RuB** s.24 DZR with press ends combines first class features of our s.24 which have been optimized through years of field experience and innovative press fittings which can be pressed with all pressing jaws and tools provided for metal connections type M and V.

Be kind with yourself, make sure the valve that brings you pure fresh water is an **RuB** DZR ball valve. Press-end couplings are made of bronze, a material well known for its suitability to the press operation. Each coupling assembly is seal tested at the plant.



### Quality

- 100% seal test guaranteed
- Dual sealing system allows valve to be operated in either direction making installation easier
- No metal-to-metal moving parts
- No maintenance ever required
- Handle clearly shows ball position
- Silicone-free lubricant on all seals
- Handle stops on body to avoid stress at stem
- Chrome plated DZR brass ball for longer life

### Body

- Hot forged sand blasted DZR unplated body and cap sealed with Loctite® or equivalent threads sealant
- Dezincification resistant ADZ-T and ADZ-P brass approved to SBN-PFS 1983:2 and NR-BFS 1988:18 specifications

### Stem

- Maintenance-free, double FPM O-rings at the stem for maximum safety
- Blowout-proof unplated DZR brass stem

### Sealing

- Pure PTFE self-lubricating seats with flexible-lip design

### Connections

- Press ends connections to EN 1254-4 approved by DVGW



### Flow

- Full port to DIN 3357 for maximum flow

### Handle

- Geomet® carbon steel handle with thick PVC dip coating. Handle coating offers both thermal and electrical protection
- Handle removable with valve in service
- **WARNING:** do not exceed reasonable temperature and/or electrical load

### Working pressure & temperature

- 16 bar (230 PSI) non-shock cold working pressure
- -20°C to +120°C ( -4°F to +250°F)
- **WARNING:** freezing of the fluid in the installation may severely damage the valve

### Options

- T-handle
- Oval lockable handle
- Stainless steel handle (1.4016 /AISI 430)
- Patented locking device
- Add-on brass stem extension
- CW617N brass body and components
- Stubby handle
- **RuB** memory stop designed to be installed with our stubby handle

### Upon request

- Stainless steel ball (1.4401/AISI 316)
- Glass filled PTFE seals
- Custom Design

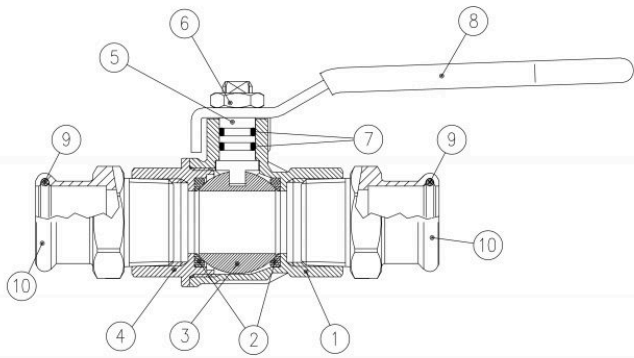
### PED directive

- The product described in this document meets the requirements of PED Directive 2014/68/UE and according to art.4 par.3, it does not require CE marking; it cannot be used with dangerous gases in sizes larger than 25mm

### Approved by or in compliance with

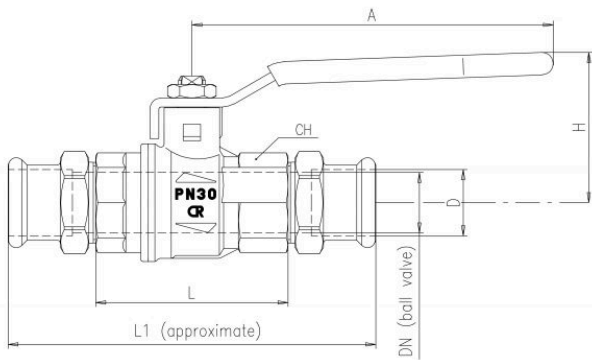
- GOST-R (Russia)
- RoHS Compliant (EU)

**NOTE:** approvals apply to specific configurations/sizes only.



PART DESCRIPTION	Q.TY	MATERIAL
1 Unplated body	1	CW602N
2 Ball seat	2	PTFE
3 Chrome plated ball	1	CW602N
4 Unplated end-cap	1	CW602N
5 Unplated stem O-ring design	1	CW602N
6 Geomet® nut	1	CB4FF (EN10263-2)
7 O-Ring	2	FPM
8 White PVC coated Geomet® steel handle	1	DD11 (EN10111)
9 O-Ring	2	EPDM
10 Unplated press end connection	2	Bronze CuSn5Zn5Pb5-C

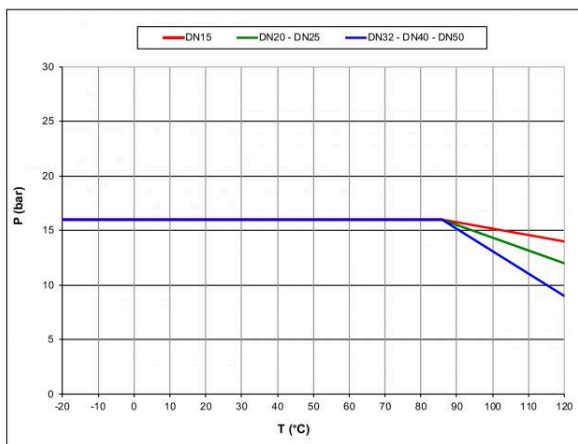
35-54 mm hollow ball



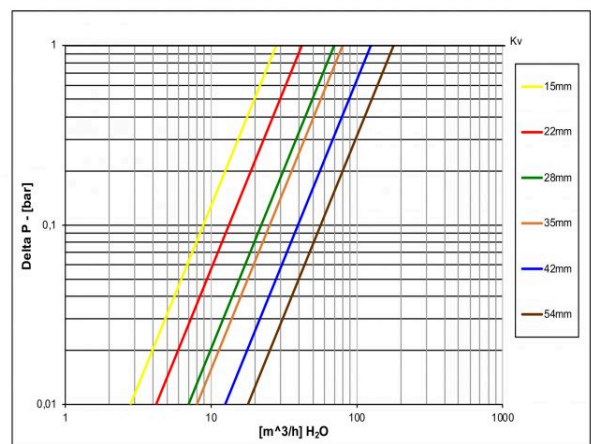
Code	S24DC15	S24EC22	S24FC28	S24GC35	S24HC42	S24IC54
D (mm)	15	22	28	35	42	54
DN(mm)	15	20	25	32	40	50
L (mm)	59	64	81	93	102	121
L1 (mm)	118	123	146	164	187	220
A (mm)	100	120	120	158	158	158
H (mm)	43	50	54	73	79	86
CH(mm)	25	31	40	49	54	68.5
Kv (m3/h)	28	42	70	80	125	179

DN shows the nominal flow diameter. Actual flow diameter complies with full port DIN 3357 part 4.

### Pressure-temperature chart



### Pressure drop chart



Ask for additional information on the whole range of **RUB** products and consult with your supplier for special applications.  
For complete disclaimer: [www.rubvalves.com/disclaimer](http://www.rubvalves.com/disclaimer)